

Launching 2011

**SF140** *Module efficiency: 11.4%*

**SF145** *Module efficiency: 11.8%*

**SF150** *Module efficiency: 12.2%*

## **Photovoltaic Modules**

*Product Data Sheet*



Produced at 900MW  
facility in Miyazaki, Japan

Launching 2011

Electrical Performance at Standard Testing Conditions (25°C, AM1.5, 1,000W/m<sup>2</sup>)

	Unit	SF140	SF145	SF150	
Maximum power	P <sub>max</sub>	W	140	145	150
Tolerance of P <sub>max</sub>			+10%/-5%		
Module efficiency			11.4%	11.8%	12.2%
Open circuit voltage	V <sub>oc</sub>	V	109.0	110.0	110.0
Short circuit current	I <sub>sc</sub>	A	2.10	2.10	2.10
Voltage at maximum power	V <sub>mpp</sub>	V	77.0	78.0	79.0
Current at maximum power	I <sub>mp</sub>	A	1.82	1.86	1.90
Maximum system voltage	V <sub>sys</sub>		1,000V DC (UL 600V DC)		
Limiting reverse current	I <sub>r</sub>		7A		
Maximum series fuse rating	I <sub>sf</sub>		4A		

Thermal Characteristics

Thermal coefficient of I <sub>sc</sub>	∂	+ 0.01%/K
Thermal coefficient of V <sub>oc</sub>	β	- 0.30%/K
Thermal coefficient of P <sub>max</sub>	δ	- 0.31%/K

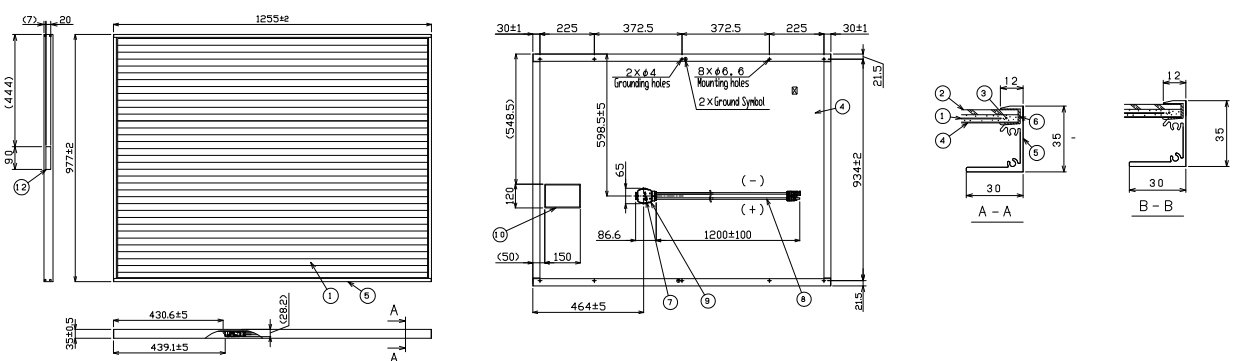
Qualifications, Compliance and Warranty

IEC 61646 / IEC 61730 / UL 1703 (scheduled for certification)      ISO 9001 certified factories (scheduled for certification)  
 CE-Mark Declaration      No conflict with RoHS

We offer industry standard and competitive warranties.

Mechanical Characteristics

Dimensions	(L x W x H) 1,255 x 977 x 35 mm (49.4 x 38.5 x 1.4 inch)	Junction Box Protection Rating	IP67 (with Bypass diode)
Weight	20 Kg (44.1 lbs.)	Output Cables	(Conductor) 2.5 mm <sup>2</sup> /14AWG (Halogen free)
Maximum load	2400Pa	Cable Lengths	(Symmetrical) 1,200 mm (47.2 inch)
Module operating temperature	-40°C~85°C (-40°F~185°F)	Connector	Locking Type



Solar Frontier

Daiba Frontier Building 2-3-2, Daiba, Minato-ku, 135-8074, Tokyo, Japan  
 TEL: +81 3 5531 5626 FAX: +81 3 5531 3677  
 www.solar-frontier.com  
 Contact: www.solar-frontier.com/contact